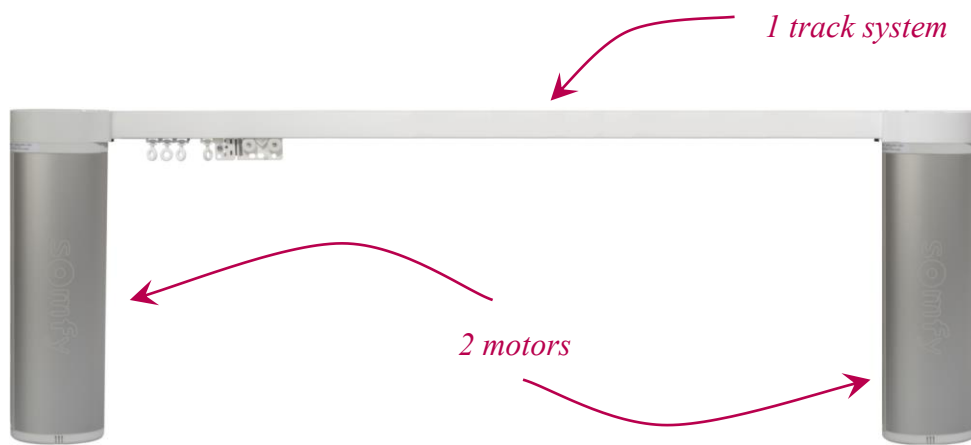


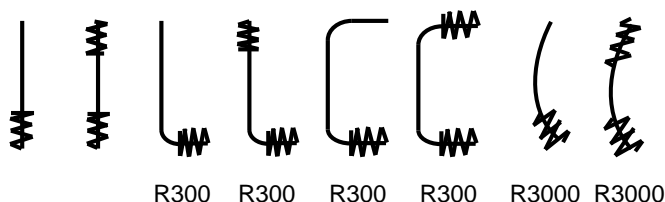
# Glydea - Tandem configuration

*Two motors...  
... for one track!*



## ■ Specifications

- Track types available with tandem:



- Rail Length: 6, 8, 10 and 15 meters
- Control by:
  - The same set of dry contacts connected in parallel to both DCT motors with a DCT splitter for each motors or a Y connector
  - The same set IR sensor connected in parallel to both DCT motors with a Y connector.
  - Glydea RTS receivers cannot be used but Radio control can be achieved by an external RTS dry contact receiver.
- AC switching by parallel wiring of the switch on WT motors
- Functional specifications:
  - Limits: Automatic stop on track mechanical stops
  - Soft stop/soft start
  - Dry contact ergonomics selection

# Glydea - Tandem configuration

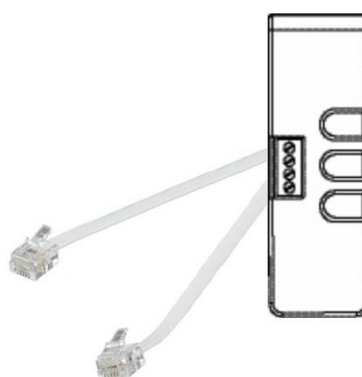
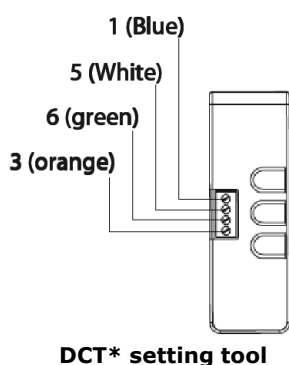
## ■ Motors available for Tandem configurations.

Reference	Description	
1001261	Glydea 35 DCT	✗
1001525	Glydea 35 WT	✗
1001536	Glydea 35 DCT US	✗
1001265	Glydea 60° DCT	✓
1001537	Glydea 60° WT	✓
1001538	Glydea 60° DCT US	✓

*Tandem configurations require the use of two of the same motor type!*

## ■ Tandem restrictions

- Speed must remain at the factory set up of 15 cm/s: to guarantee a good functioning of the motors, speed adjustment is not allowed.
- Reset the motors before installing them on the track
- To set up the features of the motors use DCT control only: RTS module is not allowed
- Use only Glydea drive pulley
- For wiring specification, please refer you to the Glydea Databook
- To be able to attach one motor on each side of the track, drive pulley must be installed on both side



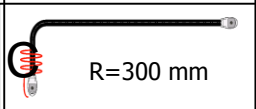
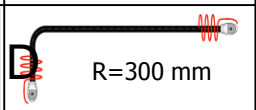
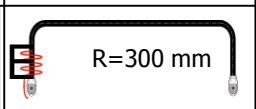
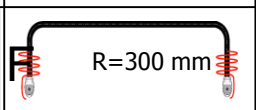
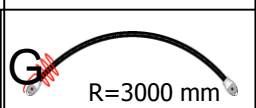



# Glydea – Tandem Configuration

	Glydea 60e DCT	Glydea 60e WT
<b>Motors unit main features</b>		
Soft start	✓	✓
Soft stop	✓	✓
Intermediate position	✓	✗
Manual operation	✓	✓
Touch motion	✓	✗
Automatic limits on end stop	✓	✓
Back release	✗	✓
Adjustable limits	✓	✗
Speed control & adjustment	✗	✗
<b>Control options</b>		
AC switching	✗	✓
3 NO dry contacts	✓	✗
2 NO dry contacts	✓	✗
2 NO dry contacts sequencing mode	✓	✗
Dry contact individual and group & control	✓	✗
Infrared	✓	✗
RS485 digital technology	✗	✗
Radio Technology SOMFY with Glydea RTS module	✗	✗
Radio Technology SOMFY with external RTS dry contact receiver	✓	✗
Sun control	✗	✗
Timer control (with external remote or controller with timer function)	✓	✓
<b>Installation and settings features</b>		
Setting with buttons on motor unit	✗	✗
Setting with a 3 NO dry contact switch	✓	✓
LED indicators	✗	✗
Motor unit direction change	✓	✓
Factory reset	✓	✓
Upside down mounting (both UP or both DOWN)	✓	✓
<b>Tracks / Curtian types</b>		
Lateral	✓	✓
Central	✓	✓
Asymetric	✓	✓
Multiple	✓	✓
Classic (pinch pleat)	✓	✓
Ripple drape with overlap arm	✓	✓
Ripple drape with butt arm	✓	✓

# Glydea – Tandem Configuration

## ■ Glydea Glydea™ 60e Tandem, Standard and Ripple applications

Track type	GLYDEA™ 60e Tandem		
	6m	10m	15m
 A	100	100	100
 B	100	100	100
 C R=300 mm	100	80	80
 D R=300 mm	100	80	80
 E R=300 mm	70	70	56
 F R=300 mm	70	70	56
 G R=3000 mm	70	56*	N/A
 H R=3000 mm	70	56*	N/A

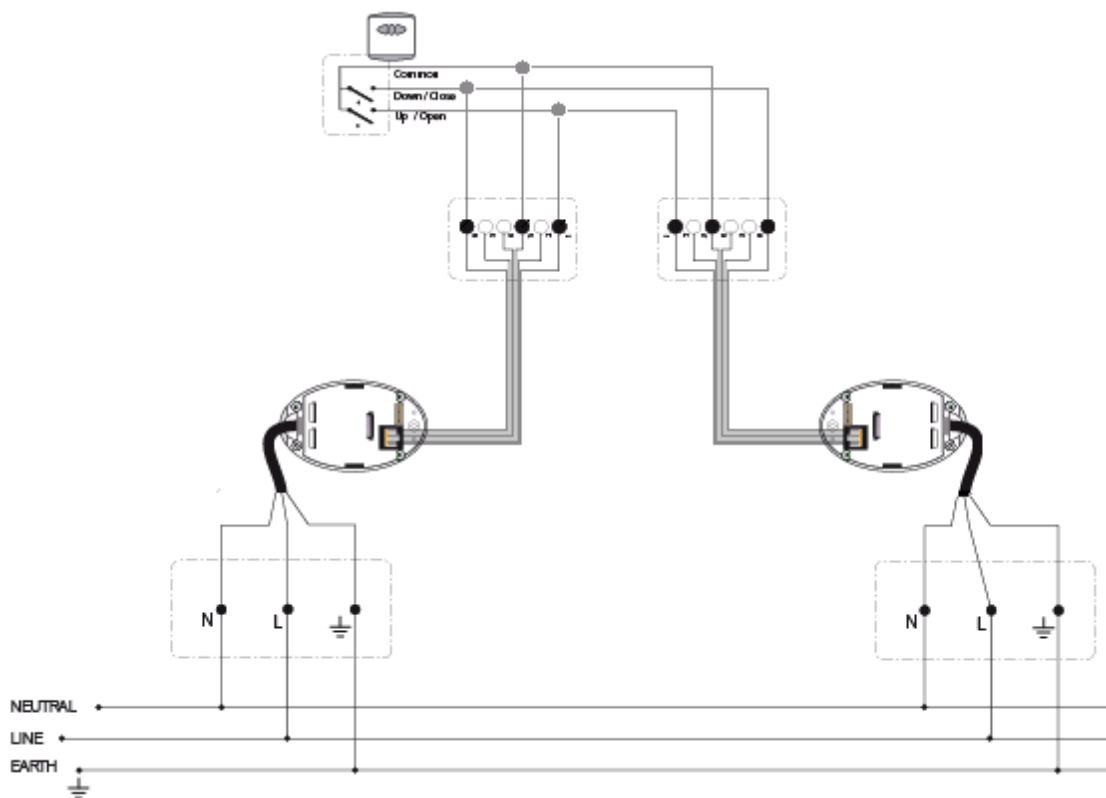
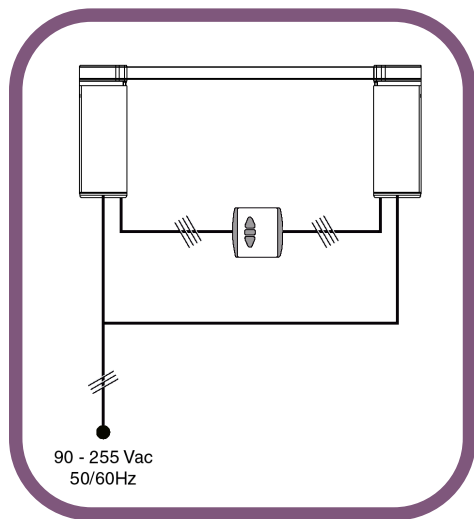
\* 8m is max allowable length for 3000 mm curved track configurations.



# Glydea – Tandem Configuration

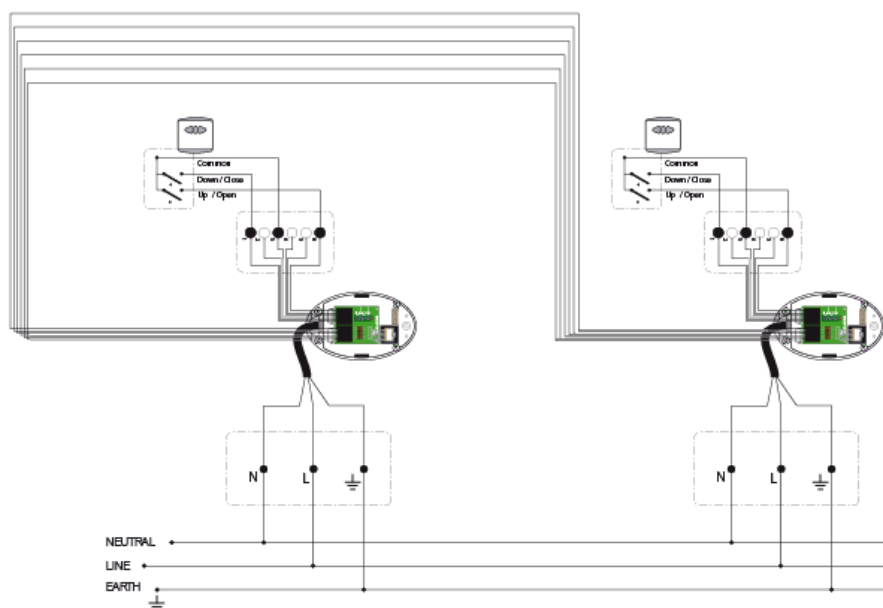
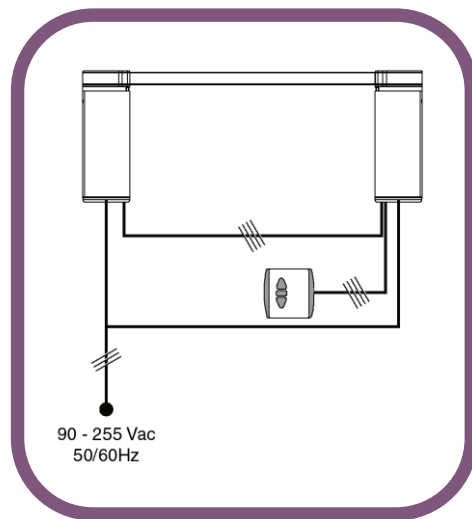
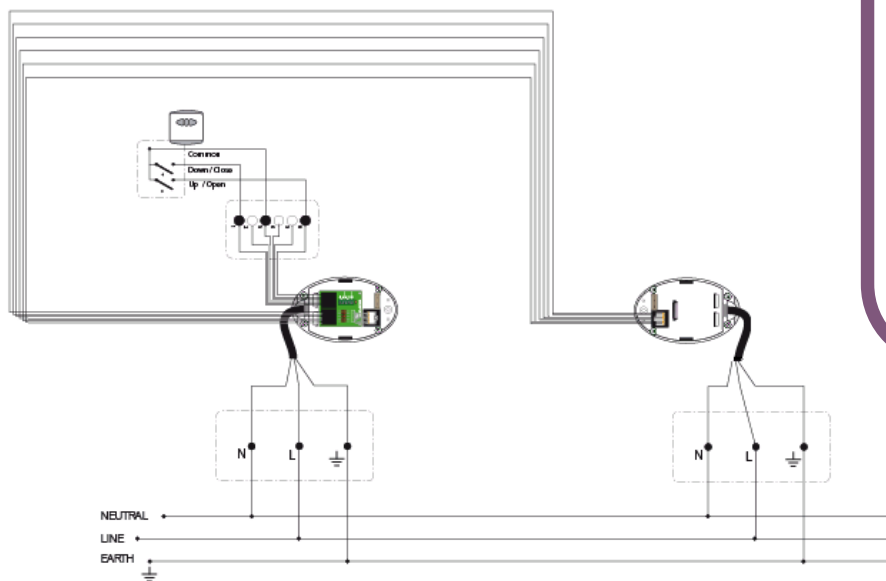
## ■ Control options with two Glydea 60e DCT:

- Tandem operation with DCT switch



# Glydea – Tandem Configuration

- Tandem operation with DCT switch and DCT splitter

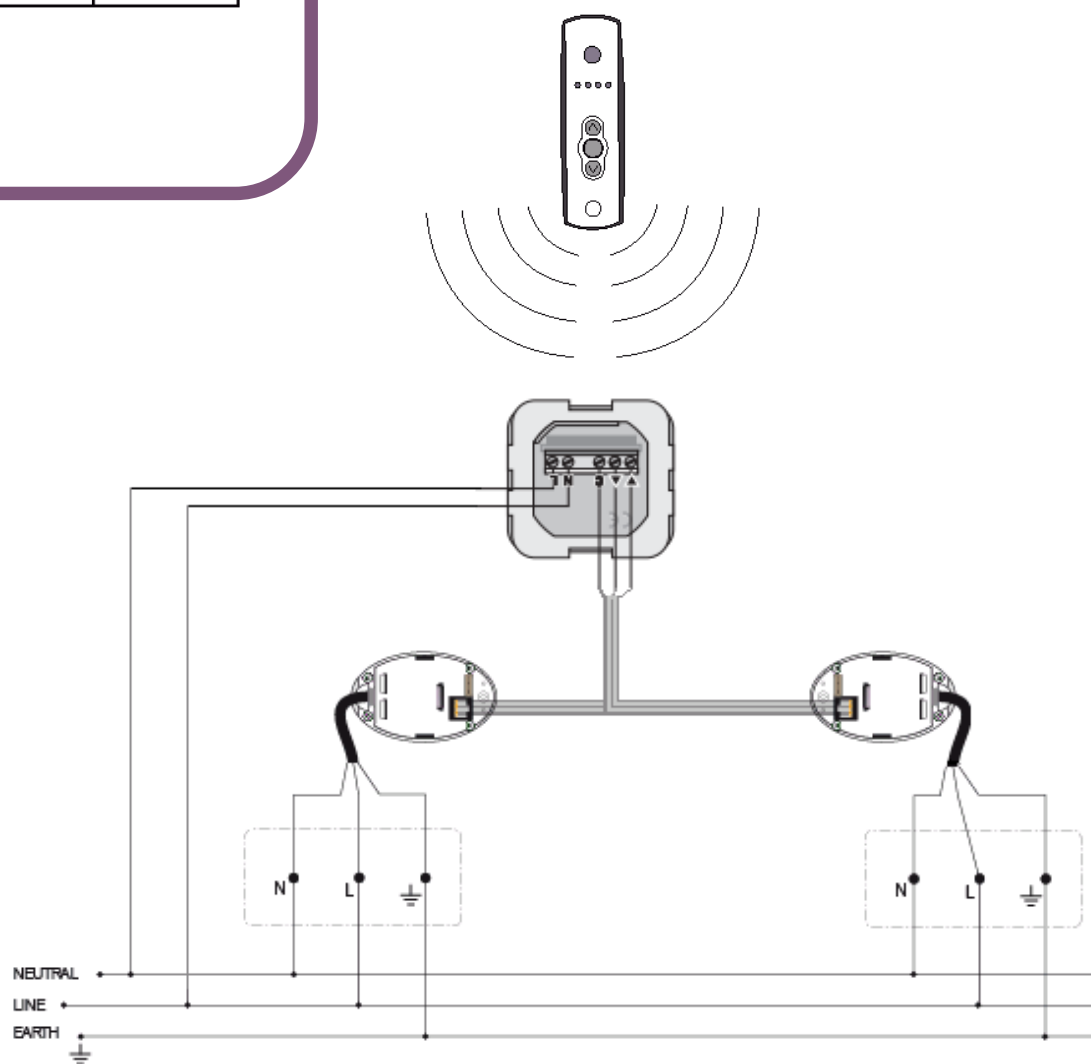
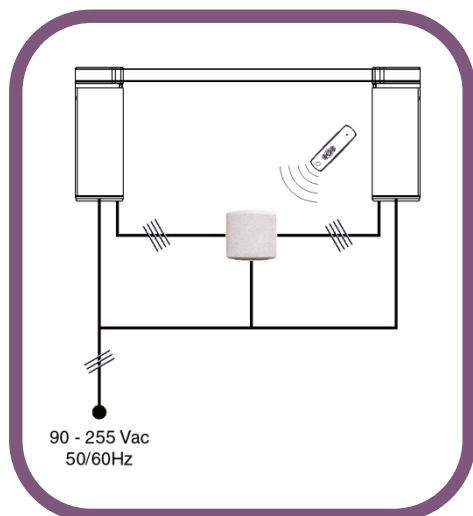


**Use individual connector (IN) on the splitter board for interconnection**

HOME MOTION by  
**somfy.**

# Glydea – Tandem Configuration

- Tandem operation with Dry Contacts RTS Receiver

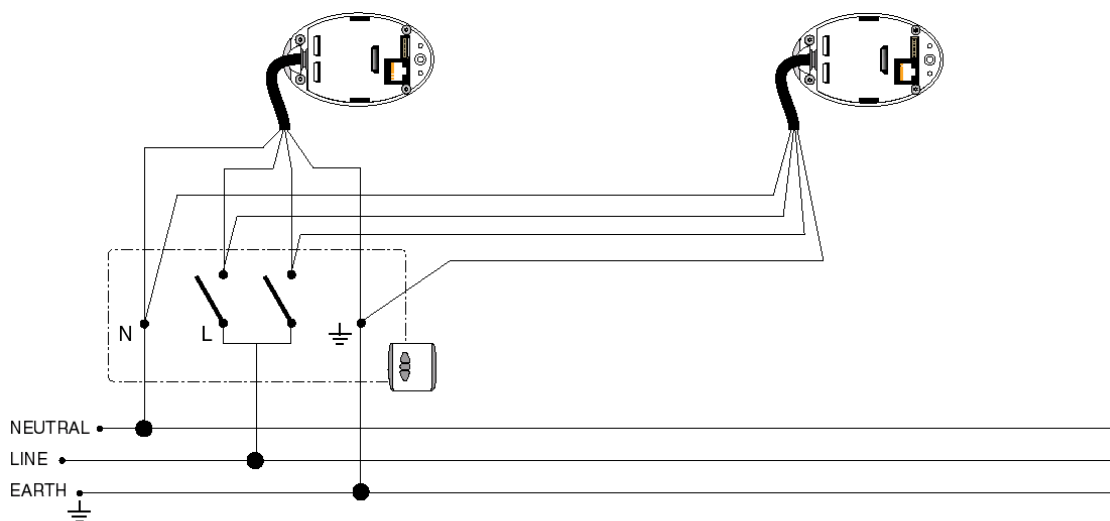
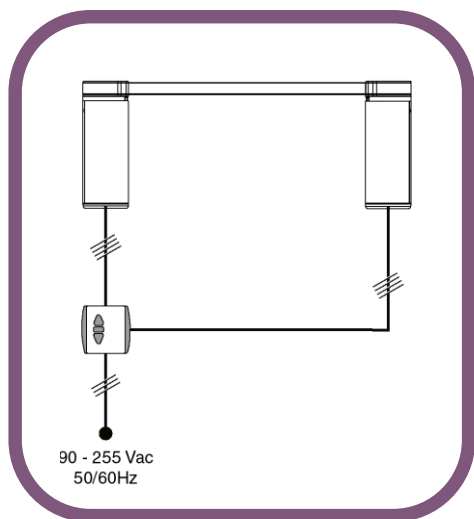




# Glydea – Tandem Configuration

## ■ Control options with two Glydea 60<sup>e</sup> WT:

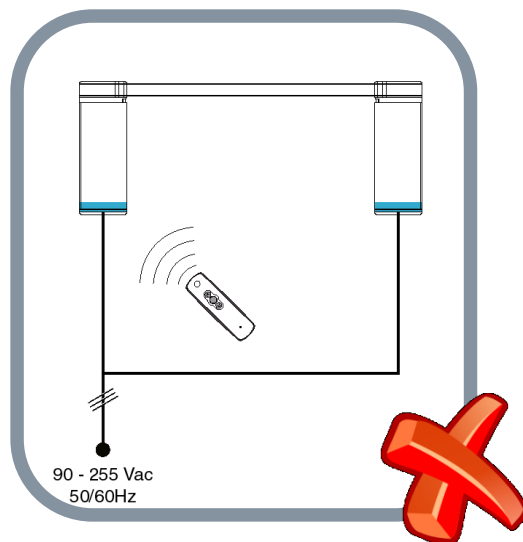
- Tandem operation with AC switching



# Glydea – Tandem Configuration

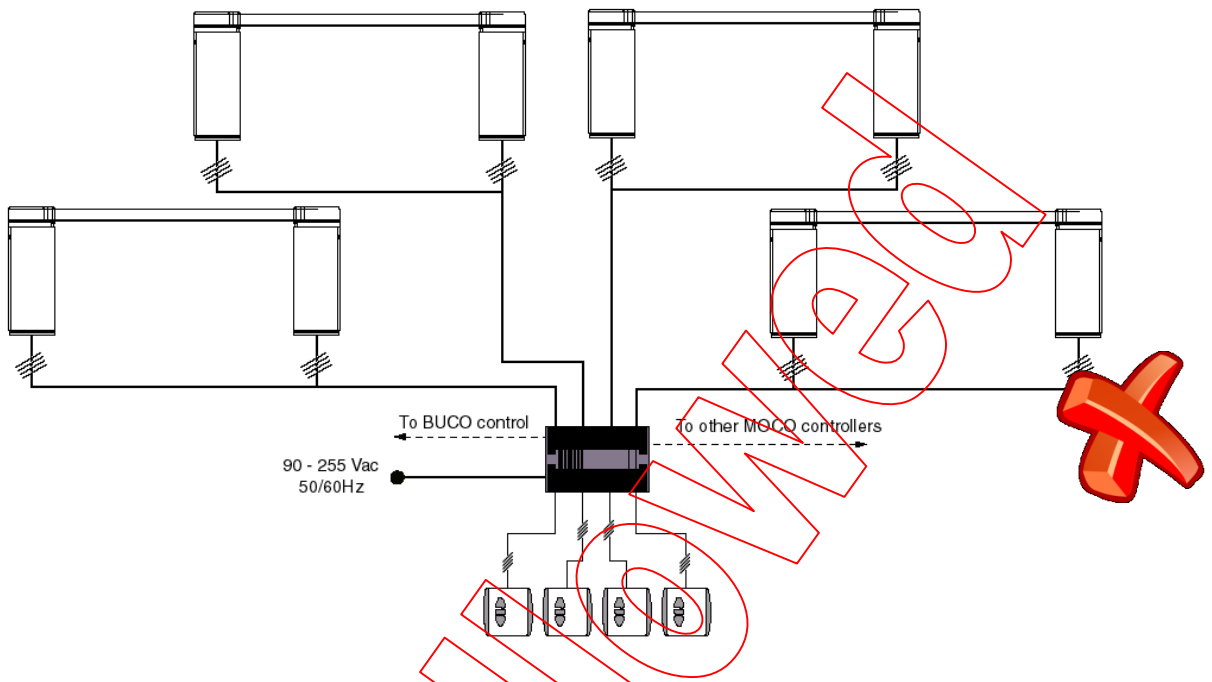
## ■ Not authorized control options for Tandem configuration:

- Tandem operation with Glydea RTS receiver



# Glydea – Tandem Configuration

- Tandem operation with BUCO, MOCO and Dry Contact Individual Control



- Tandem operation with BUCO, MOCO RTS sister card, and Individual and Group RTS Control and Dry Contact Individual Control

